



MODEL H6162 TRAILER SCREW JACK 2000 LB. INSTRUCTION SHEET

⚠️WARNING

To reduce the risk of property damage, serious personal injury, or death when using this jack, take the following precautions:

- Refer to your trailer owner's manual to verify the *Trailer Net Weight* does not exceed the maximum trailer jack load rating of 2000 lbs.
- During installation, do not place any part of your body under the trailer tongue. Only support the trailer tongue with jack stands rated for more than the tongue weight of your trailer.
- Only use this trailer jack on a hard, level surface capable of sustaining the load.
- Always block trailer wheels when using this trailer jack.
- Do not modify this trailer jack.
- Never allow children to play with or near the trailer jack while it is supporting the trailer.
- Never work under a trailer that is supported only by a trailer jack.
- Periodically inspect the jack fasteners, frame, and welds for looseness, cracks, or other damage. Do not use the jack if there is a problem.
- Never tow a trailer with the jack in the "Down" position, and be sure to lock the jack in the "Up" position before towing the trailer.
- Always make sure that the trailer hitch receiver is fully connected and properly locked to the ball hitch before retracting this trailer jack.



Figure 1. Model H6162.

Introduction

The Model H6162 Trailer Screw Jack is designed to be mounted to the tongue of a trailer with a tongue weight less than 2000 lbs. The jack has 10 inches of vertical travel, allowing the trailer tongue to be raised and lowered as needed. The mounting plate allows the jack assembly to swing out of the way and lock in place when it is not in use for safer towing.

Specifications

Maximum Load.....	2000 lbs.
Retracted Height (Foot to Pivot Center).....	10¼"
Extended Height (Foot to Pivot Center).....	20¼"
Vertical Travel	10"
Mounting Plate Size	4" x 5"
Foot Size	5" x 7"
Weight	12 lbs.

COPYRIGHT © NOVEMBER, 2008 BY GRIZZLY INDUSTRIAL, INC.

WARNING: NO PORTION OF THIS MANUAL MAY BE REPRODUCED IN ANY SHAPE OR FORM WITHOUT THE WRITTEN APPROVAL OF GRIZZLY INDUSTRIAL, INC.

#JB11236 PRINTED IN CHINA

Installation

1. Read all safety precautions listed.
2. On a level surface, chock the trailer wheels, raise the trailer tongue at least 18" off the ground with a floor jack or other suitable lifting device, then use a jack stand to support the trailer tongue.
3. Identify a mounting location on one of the trailer tongue's main frame rails. Be sure that the location is perpendicular to the ground (vertical) and will provide adequate clearance when connecting the trailer to the tow hitch of the towing vehicle. Also, be sure that the chosen location will allow the jack to swing 90° and lock in position when towing.
4. While wearing safety glasses, use snap ring pliers to remove the external retaining ring that secures the mounting plate to the jack assembly, then separate them (**Figure 2**).

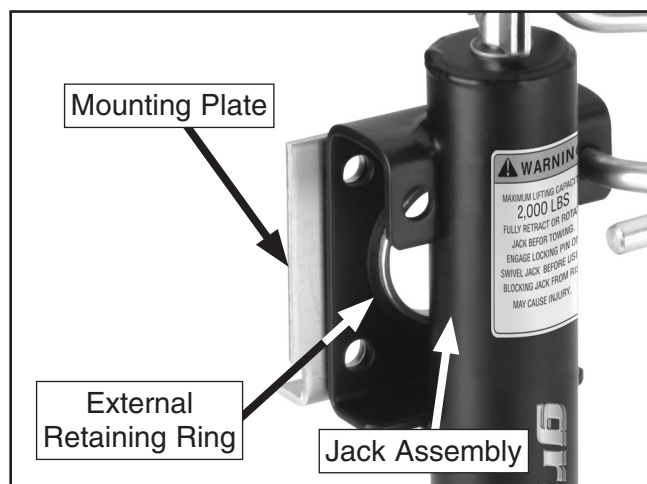


Figure 2. Retaining ring location.

5. Prepare the trailer mounting location and the jack mounting plate for welding as required by correct welding practices, then, wearing proper protective welding gear, weld the mounting plate to the trailer tongue. If you are unexperienced with welding, take the trailer and jack to a professional welding shop for installation.
6. Once the weld is fully cooled, re-install the jack assembly and replace the external retaining ring.
7. Turn the handle to lift the trailer tongue and remove the jack stand.

Operation

1. Read all required safety precautions listed.
2. Back the tow vehicle up to the trailer tongue, then turn the jack handle to lift the trailer as necessary to connect the trailer to the tow vehicle.
3. Connect the trailer to the tow vehicle and turn the jack handle until the jack foot is fully retracted.
4. Pull the lock pin, then rotate the jack approximately 90° until the lock pin snaps back into place, securing the jack in the towing position (**Figure 3**).

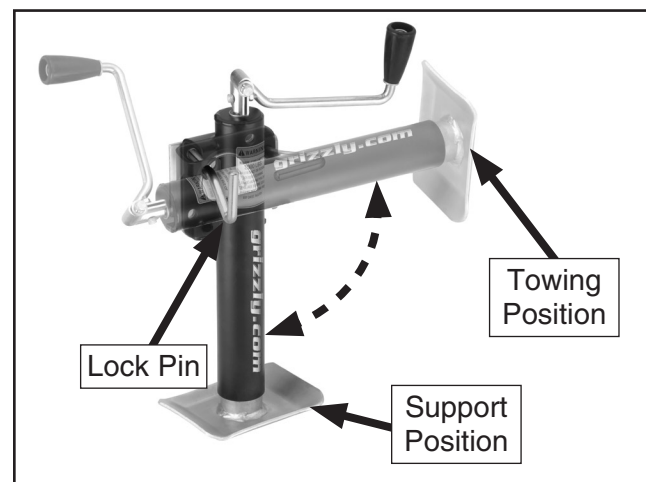


Figure 3. Rotating the jack.

5. Pull on the jack to make sure it is locked in position.
6. When you are ready to remove the trailer from the tow vehicle, chock the trailer wheels and secure the parking brake on the tow vehicle.
7. Pull the lock pin and rotate the jack towards the support position until the lock pin snaps back into place.
8. Release the hitch mechanism on the trailer, then turn the jack until the tongue lifts from the hitch, then remove the tow vehicle.

If you have any questions about your new trailer jack, call our Tech Support at: (570) 546-9663.